

MechaTrans

MTN10S1150F113

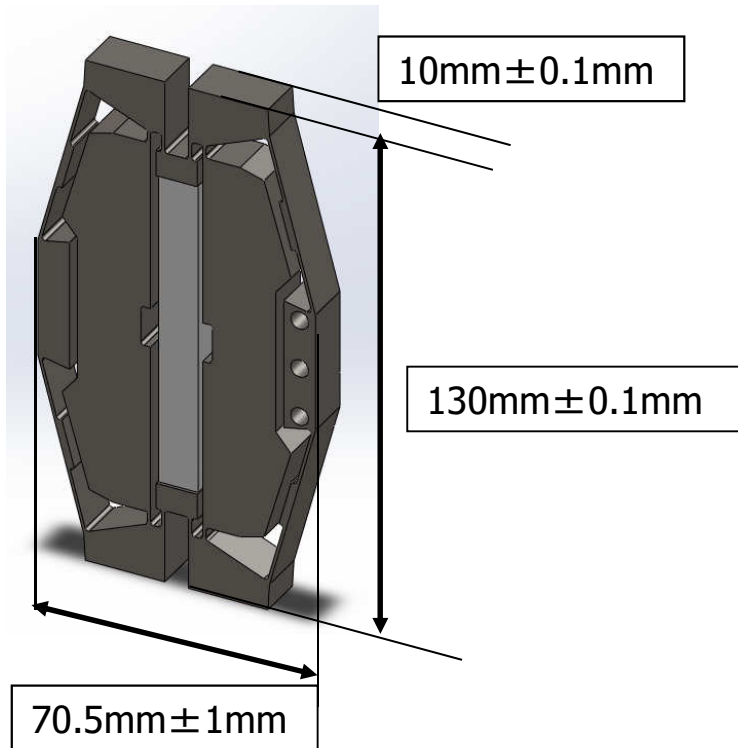
Mechano Transformer Corp.

Chee Sze Keat

2016.7.23



MTN10S1150F113



Displacement : $1150\mu\text{m} \pm 20\%$
*voltage:0V~150V

Applicable voltage:-15V to 150V

Blocked force : $113\text{N} \pm 20\%$

Resonant frequency: Above 100Hz
*without external load

