

# MechaTrans

## MTN10S1150F113

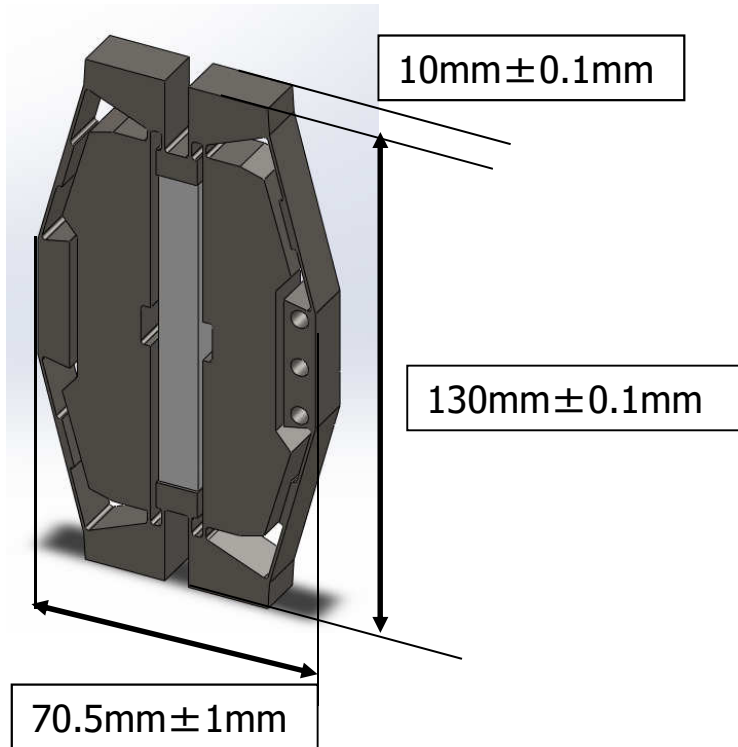
Mechano Transformer Corp.

Chee Sze Keat

2016.7.23



# MTN10S1150F113



Displacement : 1150 $\mu$ m ± 20%

\*voltage:0V~150V

Applicable voltage:-15V to 150V

Blocked force : 113N ± 20%

Resonant frequency: Above 100Hz

\*without external load

